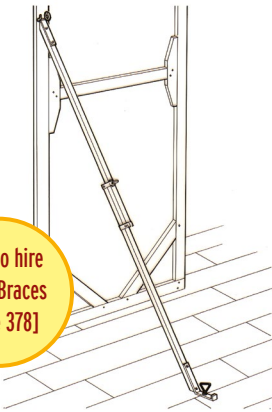


STAGE BRACES & WEIGHTS

STAGE & WALL BRACES



We also hire Stage Braces [page 378]



Stage Braces Extendable braces like these are used to support lightweight scenery. They are secured to the flats with a screw eye which locates with the hooks on the brace. The foot is designed to marry with our stage weight but it is also drilled for use with either Stage Screws or Stage Bolts into Boss Plates [page 150]. Made from tulipwood with bright zinc-plated fittings. We also include a small brace, useful for ground rows. Special sizes can be made to order. Fixings needed: 55

mm screw eyes [see below ↗].

Stage Braces		code	price	Tradeline 10+
open length	closed length			
1 m	760 mm	FHS018GRK	£33.98	£31.10
2 m	1.2 m	FHS018K	£39.75	£36.50
3 m	1.7 m	FHS019K	£45.25	£39.20
4 m	2.2 m	FHS020K	£47.30	£41.85
Spare Cowhorns		FHS702	£6.60	£5.70

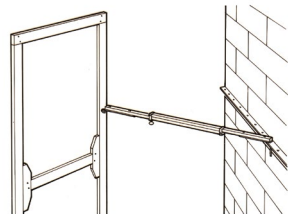
4: STAGE BRACES & WEIGHTS



Steel Scenery Braces

A range of fixed and extendable steel stage braces. Crackle black finish with bright zinc-plated inner section.

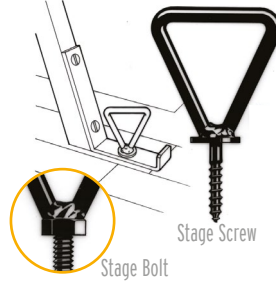
Fixed Steel Scenery Brace		code	price	Tradeline 10+
2 m		DOUT60600	£45.25	£30.60
Extendable Steel Scenery Braces				
open length	closed length			
2 m	1 m	DOUT60000	£74.60	£61.87
3 m	1.5 m	DOUT60100	£85.30	£70.74
4 m	2 m	DOUT60200	£95.97	£79.58



Wall Braces Similar to a Stage Brace but with an end fitting which will locate with a drilled angle iron mounted on studio walls. This enables the studio floor space to be kept clear whilst holding the flats solidly in place.

Wall Braces		code	price	Tradeline 10+
open length	closed length			
2 m	1.2 m	FHS021K	£39.20	£35.15
3 m	1.7 m	FHS022K	£44.58	£40.55

BRACE ACCESSORIES



Stage Screws and Stage Bolts The Stage Screw will drive easily into timber floors to secure stage braces in place without the need for weights. The Stage Bolt serves the same purpose but is used in conjunction with a Boss Plate [see page 150].

Stage Screws & Bolts	weight	code	price	Tradeline 10+
Stage Screw	99 g	FHS024	£4.35	£3.35
Stage Bolt	100 g	FHS025	£2.60	£2.25



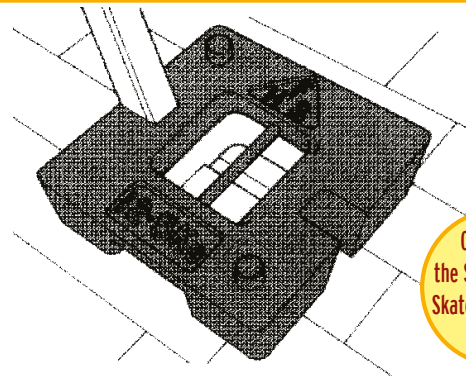
Screw Eye The most popular way of attaching stage braces to flats. The 55 mm x 12 g size is the best size for this purpose. A full range of screw eyes are available [page 261].

Screw Eye	gauge	code	price	100+
55 mm	12	FIX3161	£0.22	£0.18



NB: Brace Eyes are no longer made.

STAGE WEIGHTS



Check out the Stage Weight Skate on the next page



Stage Weights Flints famous 12.5 kg* Stage Weights are made of cast iron with a malleable iron carrying handle. They stack easily on their location lugs and have slots which let them sit safely on Stage Braces and French Braces. The central area is hollowed right through so they cannot be used as ashtrays [nostalgia] or nail stores! The top edge has deliberately not been rounded over so it remains useful for cutting sash or wire with a hammer. Flints holds massive stocks of Stage Weights both for hire and sale. We can customise Stage Weights with your logo for orders of fifty plus. *Weights can vary plus or minus 5%. Design right applies. Standard weights are supplied painted black but custom weights are self-colour. Size: 211 x 211 x 60 mm. The big question is "Where do they all end up?"

Best-seller

Stage Weights	weight	code	price	10+	76+
	12.5 kg [+/-5%]	FHS023	£35.00	£33.00	£31.00
Custom Logo Weight		FHS023L	POA [50+ minimum order only]		

Prices above are for each weight. Stage weights do not qualify for free delivery. Longweights are available at our trade counter.

Custom made weights can be produced with your logo. Phone 020 7703 9786 for details.



TV Pattern Weights

Similar to our standard Stage Weight but with the addition of a 29 mm receiver with locking-off wing bolt. Supplied painted black. *Weights can vary plus or minus 5%. Stage weights do not qualify for free delivery.

TV Pattern Weights	weight	code	price	10+	Tradeline 80+
	12.5 kg [+/-5%]	FHS023TV	£57.35	£47.79	£41.30



Counterweights Our 10kg* Counterweight has two large holes with rounded entries to allow ropes or karabiners to pass through for hauling to the fly floor. Supplied self-colour. Delivery charged at cost. *Weights can vary

plus or minus 5%. Prices are for each weight. We also supply Temporary Counterweight Cradles [page 222]. Size: 325 x 153 x 42 mm [Lug width: 60 mm].

Counterweights	weight	code	price	10+	Tradeline 50+
	10 kg [+/-5%]	FHS109	£39.90	£33.55	£31.50

WEIGHT SKATE



Weight Skate XL Flints is synonymous with Stage Weights but we haven't ever stocked anything to help you move them around... but now we have the Weight Skate; designed to carry up to 24 stage weights with a welded steel frame that weights neatly stack into. Think of this like a very fancy and much safer dolly. The frame extends on two sides for you to have a two handed grip whilst manoeuvring. Great for moving weights around but also a compact weight storage frame with heavy duty braking castors and a black finish, so can be discretely stowed away backstage.

Specification: Dimensions: 53cm (W) x 52cm (H) x 54cm (D)

Weight Skate XL	code	price
Weight Skate XL	FHS023WSXL	£400.00
Weight Skate XL + 20 Stage Weights	FHS023WSXLK	£995.00

SANDBAGS

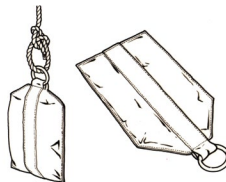


Made in black too!



With zip opening

Sandbags Made from heavy canvas with strong webbing which secures the 70 mm diameter galvanised ring. They are sold empty or filled and are fitted with a heavy-duty zip and velcroed webbing to save having to sew them up after filling. We also have a black version. Sandbags are the preferred weight for the retrieval of otherwise unloaded hemp lines from the grid but obviously they have many other uses.



SPECIFICATION: Size: 300 x 200 x 70 mm [thickness when filled]. Approximate weight when filled: 3.5 kg [+/-5%].

Sandbags [with zip fastening]	code	price	Tradeline 10+
Unfilled plain canvas	FHS026	£8.75	£7.50
Unfilled black canvas	FHS026B	£9.20	£8.00
Filled plain canvas	FHS026FK	£10.90	£9.80
Filled black canvas	FHS026BFK	£10.90	£9.80

See also Hessian Sandbags for filling on page 96.



Up to 25 kg



Heavy Black Water Resistant Weight Bag

These black bags have a watertight screw top 3.5 L container inside them and a drawstring top. They can be filled with water, sand [or marble dust], steel shot or lead shot giving a variety of weights up to a maximum of 25 kg. When used with water they can be toured empty and filled at each venue with a measured amount of water to give your desired weight. The Weight Bag is

supplied unfilled. For Marble Dust, steel shot, and lead shot see alongside. This new version of the Weight Bag includes an outer sleeve which protects the straps from wear and is fully rated to the working load limit of 25 kg with the certificate of conformity included.

Heavy Black Bag	weight	capacity	code	price
	800 g	25 kg	FHSHWB	£86.30



Pipe Sling Weight Bag These sand bags are manufactured from heavy-duty water repellent black Cordura. They are double seamed with zipped openings for easy filling. Supplied empty.

Pipe Sling Bag	capacity	code	price
	16 kg	DOUG3301	£53.67

F



Small Tubular Weight Bag These neat small steel shot bags have a variety of uses and are often preferable to using solid sash weights which can be noisy or cause injury. Fitted with a 25 mm diameter ring at the top. Weights can vary plus or minus 5%. Size: 150 x 50 mm [when flat].

Small Tubular Bag	weight	code	price
	500 g [+/-5%]	FHS026T	£12.95

Plain white sausage bags.



Black sausage bags with delta rings.

F

Sausage Weight Bags Can be used to weigh down the base of cloths and prevent light leaks. The bags with delta rings can be used to help ropes fly-in or for quiet sash window counterweights. We now fill these bags with steel shot to avoid unnecessary handling of lead by our staff. They are slightly lighter than the old ones but still really heavy!

Sausage Weight Bags	colour	length	weight	code	price
Plain	white	500 mm	3 kg	FHSR0H5	£27.70
Plain	white	900 mm	7 kg	FHSR0H1	£53.25
Delta rings each end	black	500 mm	3 kg	FHSSWB5	£32.58
Delta rings each end	black	1 m	6 kg	FHSSWB1	£53.70

WEIGHT FILLING OPTIONS

Lead

We are keen to avoid our staff being exposed to lead so we now use steel shot whenever possible. The steel shot we supply is of excellent quality and is only a little lighter than the lead shot. We still sell lead shot but only in sealed units.

F



Lead Shot For filling very heavyweight bags. The density of solid lead is 11,340 kg/m³.

A one litre paint kettle filled with lead shot would weigh 7.95 kg.

Lead Shot	code	price
Lead shot [per 5 kg]	FHS026LS	£32.15

F



Steel Shot For filling heavyweight bags. The density of solid steel is 7,850 kg/m³.

A one litre paint kettle filled with steel shot would weigh 5.6 kg.

Steel Shot	code	price
Steel shot [per 5 kg]	FHS026SS	£28.56



Marble Dust We use Marble Dust to fill our sand bags as it is clean and supplied very dry. The density of solid marble is 2,563 kg/m³.

A one litre paint kettle filled with marble dust would weigh 1.92 kg.

Marble Dust	code	per kg	code	25 kg bag
Marble dust	PAT867	£3.80	PAT867B	£20.50